



SUEDE



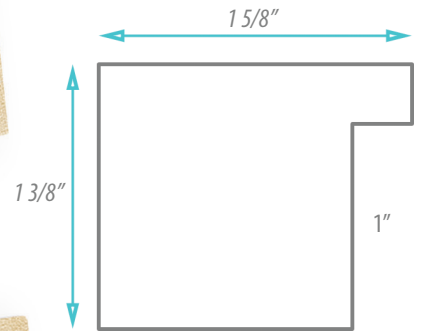
83793



83794



83795



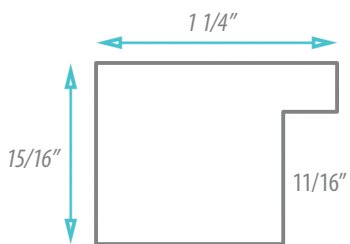
83796



83797



83798





# SUEDE

Omega's Suede Collection consists of 6 square profile mouldings with two sizes in 3 neutral colors of charcoal (warm grey), greige (grey-beige), and truffle (soft tan).

The main feature of the collection is the soft luster finish, giving a velvety quality to each color in the palette. The pinstripe edge detailing adds a level of sophistication that elevates the appearance of the framed artwork above those framed with basic functional black and white mouldings.

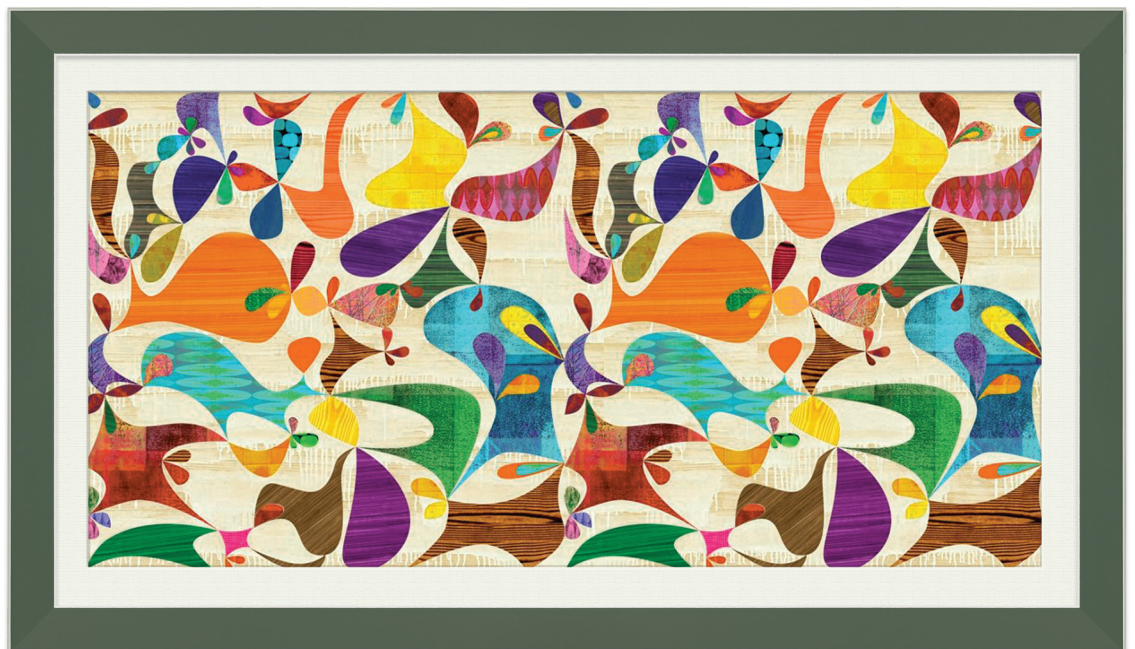
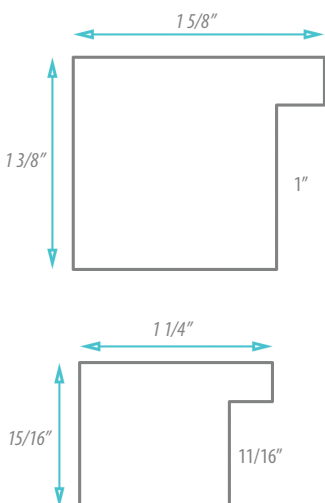
The color palette of the Suede Collection relates perfectly to current art and interior design trends, providing elegant solutions for framing photography, watercolor paintings, decorative and modern art, charcoal to pencil drawings and more.

Above: 83794, Greige • Evolution, William Wegman

Below: 83796, Charcoal • Architonic, Rex Ray



△ **Photo Finish** • The soft, rich neutral tones of the collection are tailor-made for black and white, color, and sepia-toned photography



△ **Depth Star** • Deep rabbets allow for this collection to be used for works on canvas, shadowboxing, and textile projects.